

## TECHNICAL DATA SHEET

### DESCRIPTION

The F62 Flared Thin Slab Ferrule Insert's design is for use in thin precast concrete elements or for conditions where a longer insert cannot be used. The insert is closed at the back end of the ferrule to keep concrete from getting into the threads.

### APPLICATION

The F62 inserts are used for attaching structural elements to precast structures.

Please NOTE that at least 3/4" of concrete must be maintained below the insert.



### FEATURES

- Available in heights of 1-3/4" to 4-5/8"
- This insert features NC thread
- Bolt diameters from 1/2" to 1"
- Available in plain, electro galvanized and stainless steel finishes

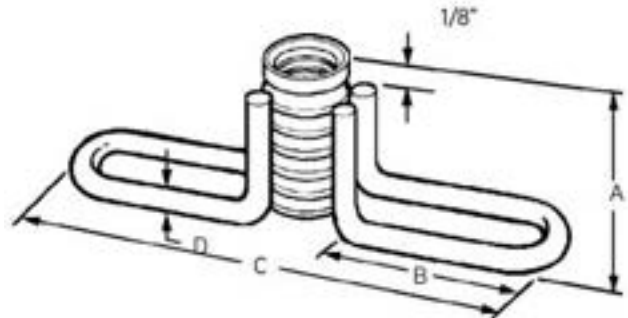
### TECHNICAL DATA

F62 Flared Thin Slab Ferrule Insert Technical Data

Bolt Diameter & Threads per Inch	Insert Height A	Min. Edge Dist.	Min. Corner Dist.	SWL (Tension & Shear)	B	C	D	Max. Bolt Engage.
1/2" - 13 NC	1-3/4"	6"	9"	1,650 lbs.	1-7/8"	4-1/16"	0.223"	1"
5/8" - 11 NC	2-7/16"	7"	10"	2,760 lbs.	2"	4-7/8"	0.306"	1-1/8"
3/4" - 10 NC	2-7/16"	6"	9"	2,875 lbs.	2"	4-5/8"	0.306"	1-1/8"
3/4" - 10 NC	3-5/8"	9"	14"	4,555 lbs.	2"	4-5/8"	0.306"	1-1/8"
1" - 8 NC	2-7/16"	6"	9"	2,875 lbs.	2"	5-1/8"	0.306"	1-1/8"
1" - 8 NC	4-5/8"	11"	16"	6,625 lbs.	2"	5-1/8"	0.306"	1-1/8"

Safe Working Load provides a factor of safety of approximately 3 to 1 in 5,000 psi normal weight concrete for permanent connections. This is not for lifting. Safe Working Loads are based on insert 1/2" setback from the face of the concrete. Minimum spacing between inserts is twice the corner.

### INSTALLATION



### HOW TO ORDER

Additional sizes and materials are available as Made to Order. Please call for availability, lead times and pricing.

### ORDERING INFORMATION

#### FLARED THIN SLAB INSERT (FERRULE) - WING NUT TYPE -

#### NC THREADS

Product Code	Description	Weight
48920	1/2" DIA PLAIN X 4-1/2"	0.24 LB
48922	5/8" DIA PLAIN X 4-7/8"	0.49 LB
48924	3/4" DIA PLAIN X 4-7/8"	0.52 LB
48926	3/4" DIA PLAIN X 4-7/8"	0.60 LB
145019	7/8" DIA PLAIN X 4-5/8"	0.34 LB
48930	1" DIA PLAIN X 5-1/8"	0.91 LB
48921	1/2" DIA ELECTRO GALV. X 4-1/2"	0.25 LB
48925	3/4" DIA ELECTRO GALV. X 4-7/8"	0.52 LB
48927	3/4" DIA ELECTRO GALV. X 4-7/8"	0.64 LB
48931	1" DIA ELECTRO GALV. X 5-1/8"	0.91 LB

### MANUFACTURER

Dayton Superior Corporation  
 1125 Byers Road  
 Miamisburg, OH 45342  
 Customer Service: 888-977-9600  
 Technical Services: 877-266-7732  
 Website: www.daytonsuperior.com

**TECHNICAL DATA SHEET****WARRANTY (ACCESSORIES)**

Limited Warranty. Dayton warrants, for a period of 60 days from the date of shipment (three years from the date of shipment in the case of formwork, excluding any consumable Products included with such formwork), that Products and any associated application drawings and engineering services provided by Dayton ("Ancillary Services") will be free from defects in material and workmanship and, in the case of custom designed formwork, that the formwork will meet the specifications set forth in the design drawings approved by Dayton and Customer. Any claim under this warranty must be made in writing within such warranty period. If any Product and/or Ancillary Service covered by a timely claim are found to be defective, Dayton will, within a reasonable time, make any necessary repairs or corrections or, at Dayton's option, replace the Product. Unless pre-authorized by Dayton in writing, Dayton will not accept any charges for correcting defects or accept the return of any Product. This warranty will not apply to any Products that have been subjected to misuse, neglect, storage damage, misapplication, accident or any other damage caused by any person other than Dayton, or that have not been maintained in accordance with Dayton's specifications. THIS LIMITED WARRANTY IS IN LIEU OF ALL OTHER WARRANTIES AS TO THE PRODUCTS AND ANCILLARY SERVICES. DAYTON MAKES NO OTHER WARRANTIES OR GUARANTEES, EXPRESS OR IMPLIED, INCLUDING ANY WARRANTY OF MERCHANTABILITY, FITNESS FOR A PARTICULAR PURPOSE OR OTHERWISE. THE REMEDIES SET FORTH IN THIS SECTION ARE CUSTOMER'S EXCLUSIVE REMEDY FOR BREACH OF WARRANTY.